



SPECIFICATION SHEET

NEVE CRISTALPLANT® VANITY TOP WITH CERAMILUX® COATING

#NEV36 (no hole) – #1NEV36 (1 hole) – #2NEV36 (2 holes) – #3NEV36 (3 holes)

FEATURES

- Made in Italy
- Available in: no holes, 1, 2 or 3 holes (8" c.c.)
- Matte smooth surface pleasant to the touch
- Cristalplant® solid surface base with a high resistance Ceramilux® coating
- Sourced from the Italian Dolomites
- Corn Biobased® sustainable fabrication
- Resistant to yellowing and thermal shock
- Easy maintenance and repairable antibacterial surface
- Integrated overflow
- Color match with StoneTouch bathtubs and shower bases*



FINISHES



White matte (WHMT)

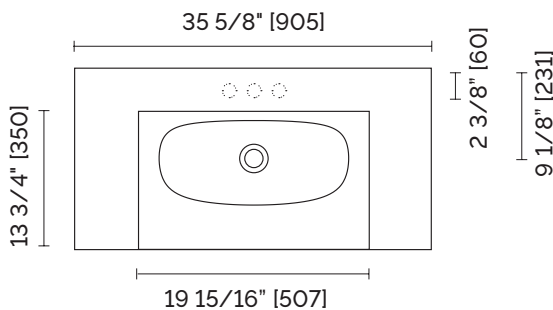


Grey matte (GRMT)

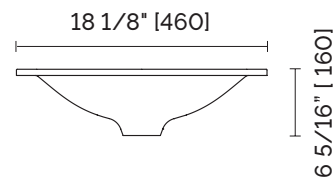


Black matte (BKMT)

CERTIFICATIONS



TOP



FRONT

*Slight variance in color may occur.

StoneTouch cannot be held responsible for any technical or typographical errors or omissions contained within this document and reserves the right to make changes without prior notice.