



SPECIFICATION SHEET

iKLEEN 2 #IKLO2AWH

FEATURES

- Made in South Korea
- Tankless design
- Antibacterial stainless nozzle
- Remote control
- Soft close seat
- Smart Functions:
 - Auto Flush
 - Heated seat
 - Warm air dryer
 - Turbo Wash: can relieve constipation
 - Posterior wash
 - Feminine wash
 - LED Night Light
 - Deodorization with electrostatic technology
- Short circuit protection and power-saving technology

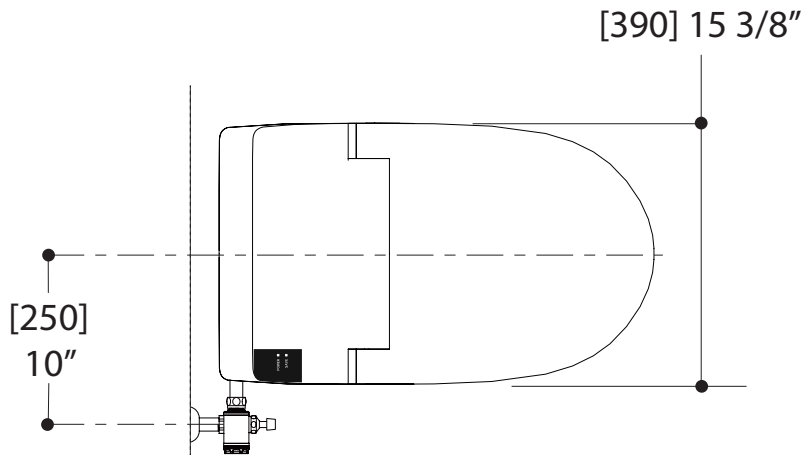
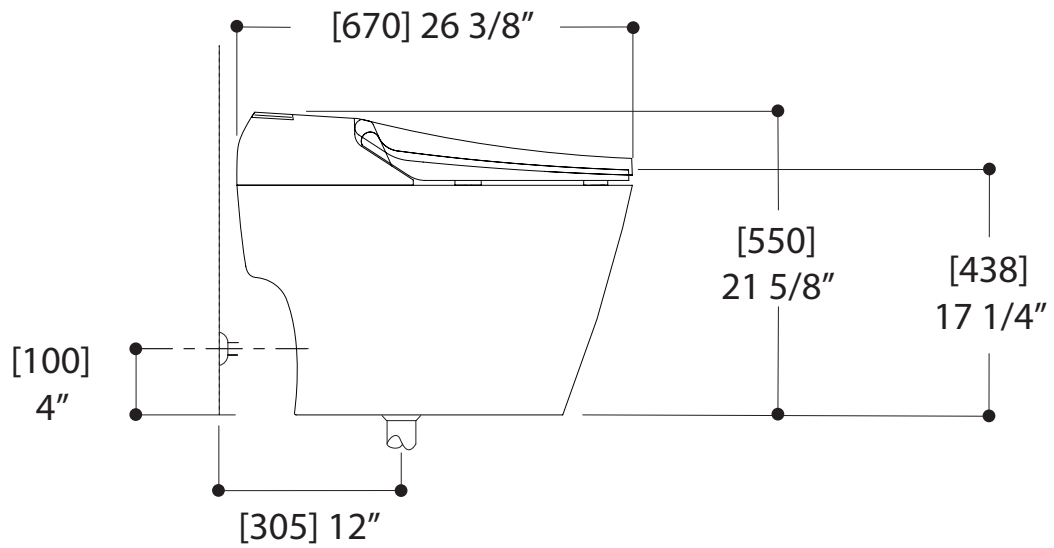


CERTIFICATIONS



StoneTouch cannot be held responsible for any technical or typographical errors or omissions contained within this document and reserves the right to make changes without prior notice.

iKLEEN 2
#IKLO2AWH



StoneTouch cannot be held responsible for any technical or typographical errors or omissions contained within this document and reserves the right to make changes without prior notice.

STONE/TOUCH